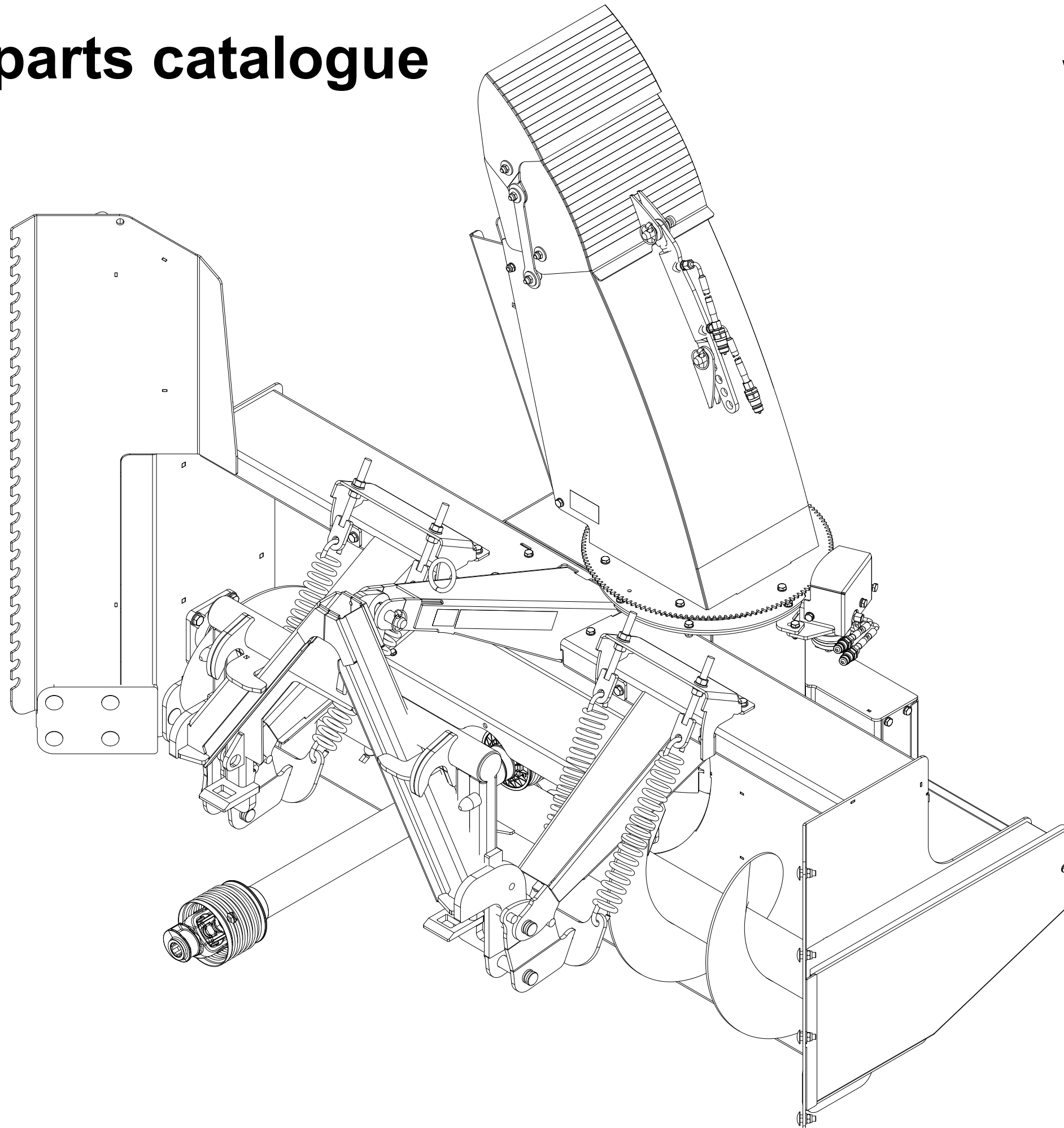
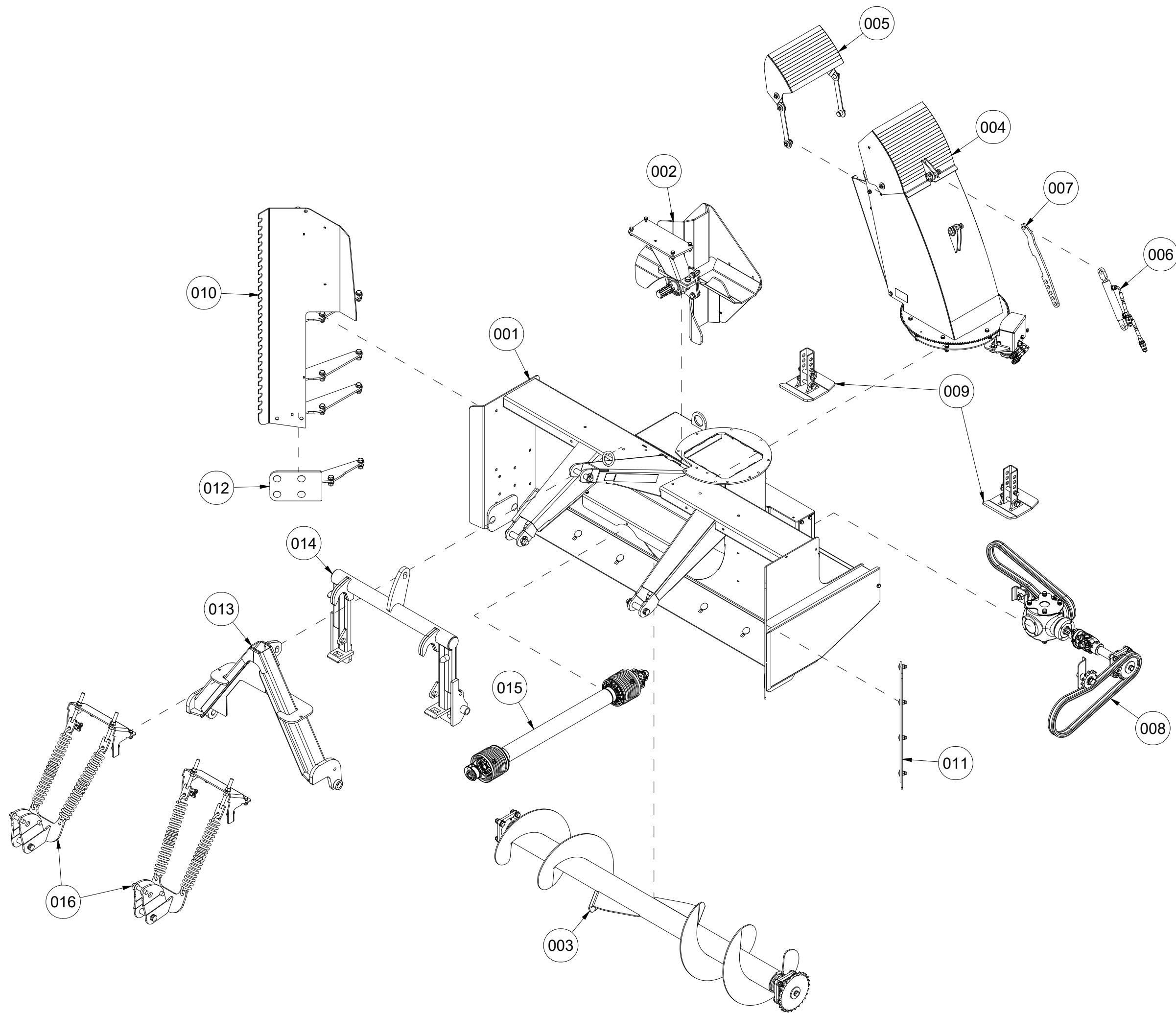




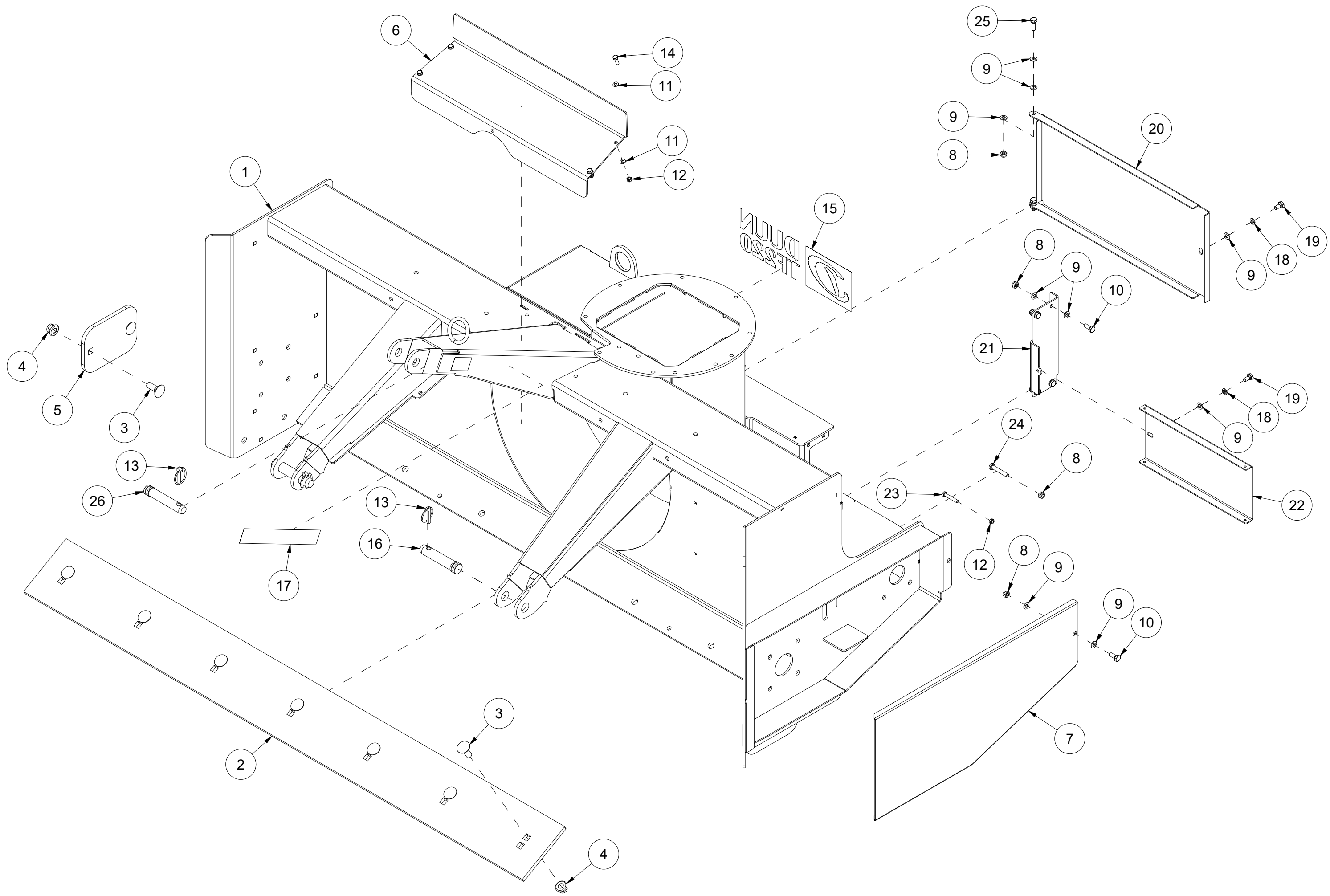
TF220 Spare parts catalogue

Duun Industrier as
7630 Åsen, Norway
www.duun.no



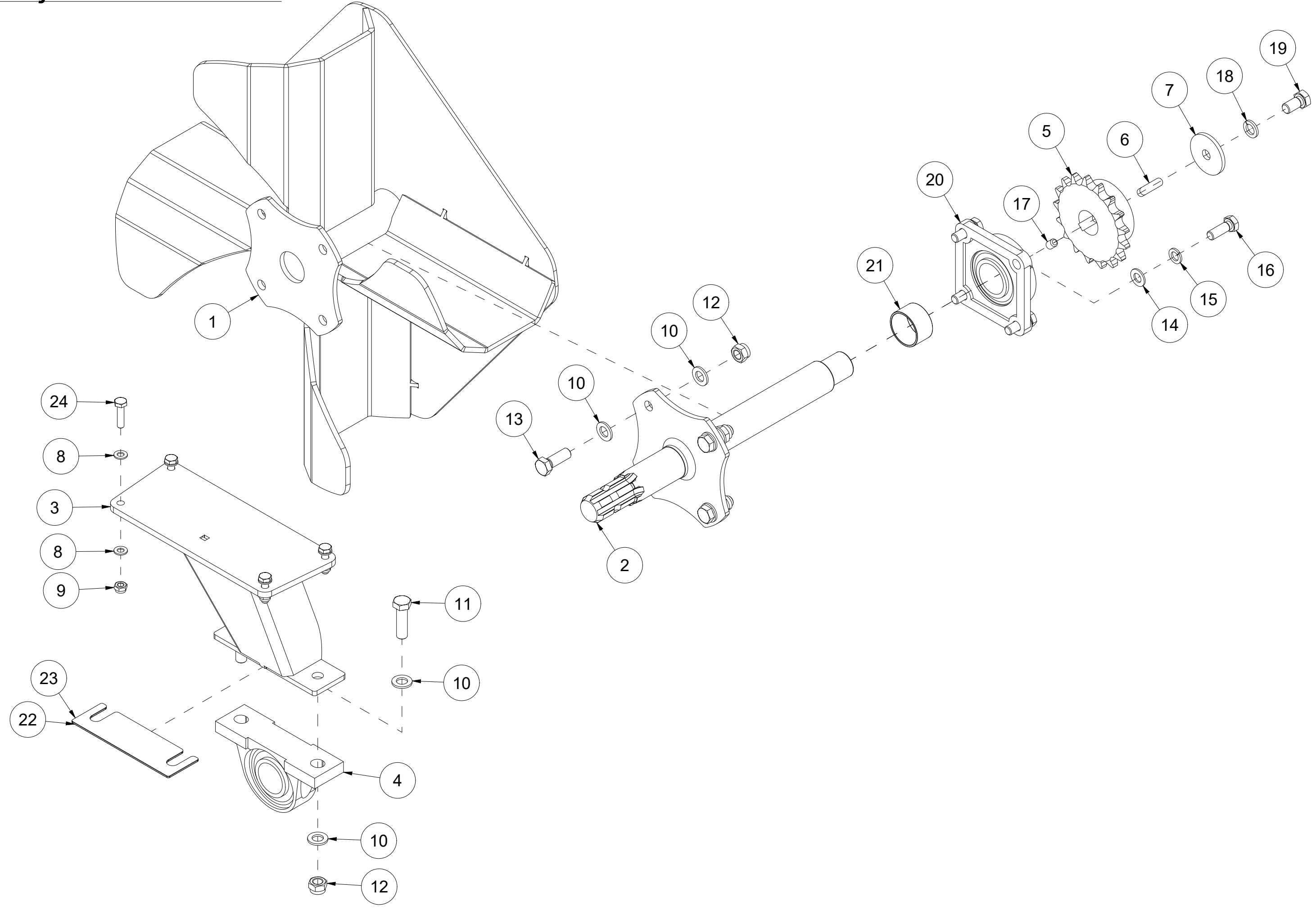


001 Hull and covers TF220



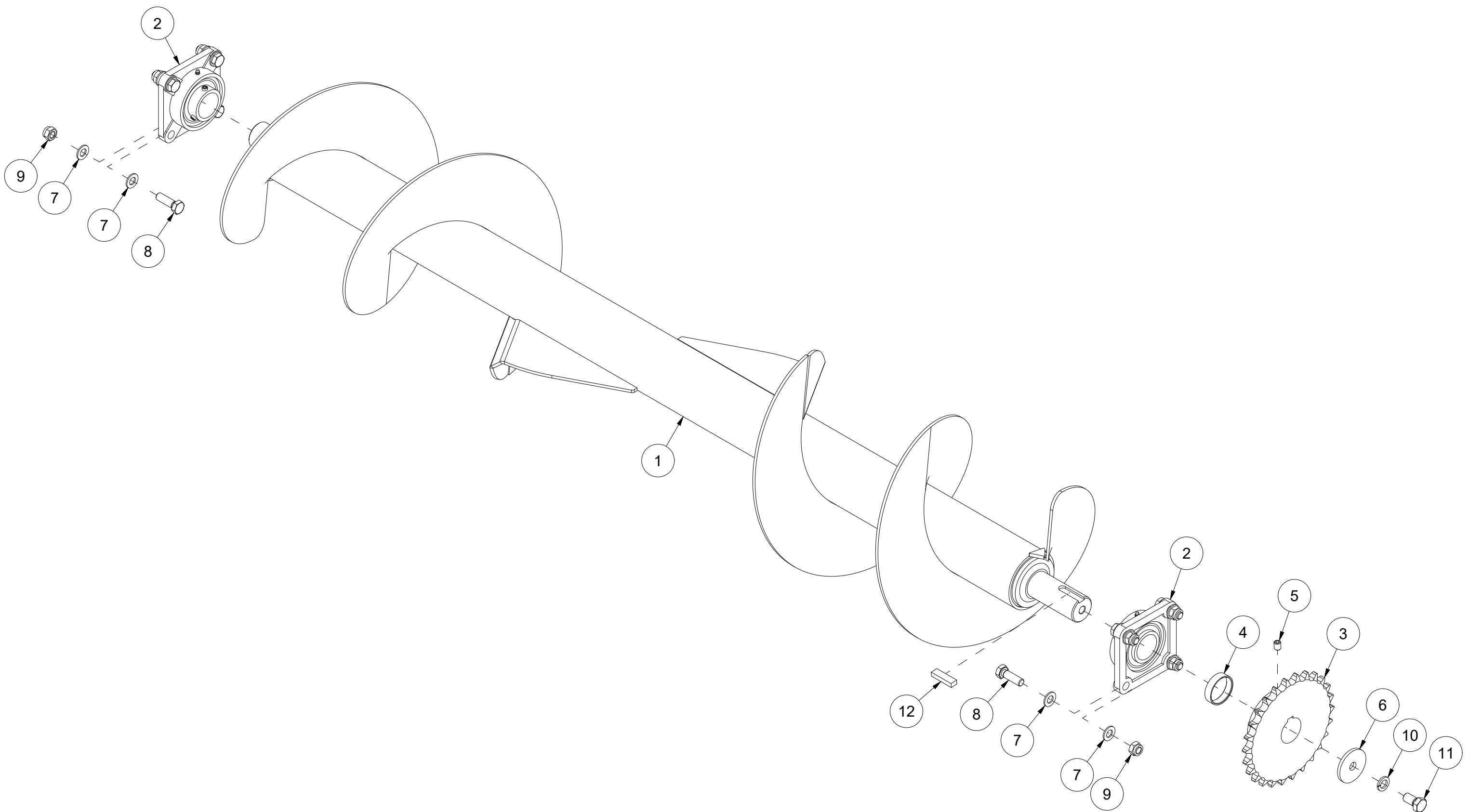
Pos	Qty	Article no	Designation
1	1	25221030	Hull TF220
2	1	25221070	Wear steel
3	11	2344491	Locking screw M16x45 EIZn 8.8 DIN 603
4	11	2489175	Locking nut with flange M16 EIZn DIN 6926
5	2	25221096	Wear steel edge TF220
6	1	25221042	Cover over feeding screw
7	1	25221089	Left side cover
8	8	2483610	Locking nut M10 EIZn DIN 985
9	18	2531060	Washer M10 EIZn DIN 125
10	5	2422297	Hexagon screw M10x25 EIZn 8.8 DIN 933
11	8	2531047	Washer M8 EIZn DIN 125
12	5	2483609	Locking nut M8 EIZn DIN 985
13	3	2556142	Linch pin Ø10x40
14	4	2422246	Hexagon screw M8x25 EIZn 8.8 DIN 933
15	1	2935116	Adhesive label TF220
16	2	2551730	Drawbar bolt cat. 2 Ø28x95
17	1	2935121	Adhesive label 45x309 Snow blower 540 rpm collection plate
18	2	2534060	Spring washer M10 EIZn DIN 127
19	2	2422295	Hexagon screw M10x20 EIZn 8.8 DIN 933
20	1	25221040	Rear cover
21	1	25221041	Plate at joints
22	1	25221044	Rear cover
23	1	2422256	Hexagon screw M8x50 EIZn 8.8 DIN 931
24	1	2422310	Hexagon screw M10x60 EIZn 8.8 DIN 931
25	2	2422299	Hexagon screw M10x30 EIZn 8.8 DIN 933
26	1	2526326	Top strut bolt cat. 2 Ø25,4x103

002 Ejector fan TF220



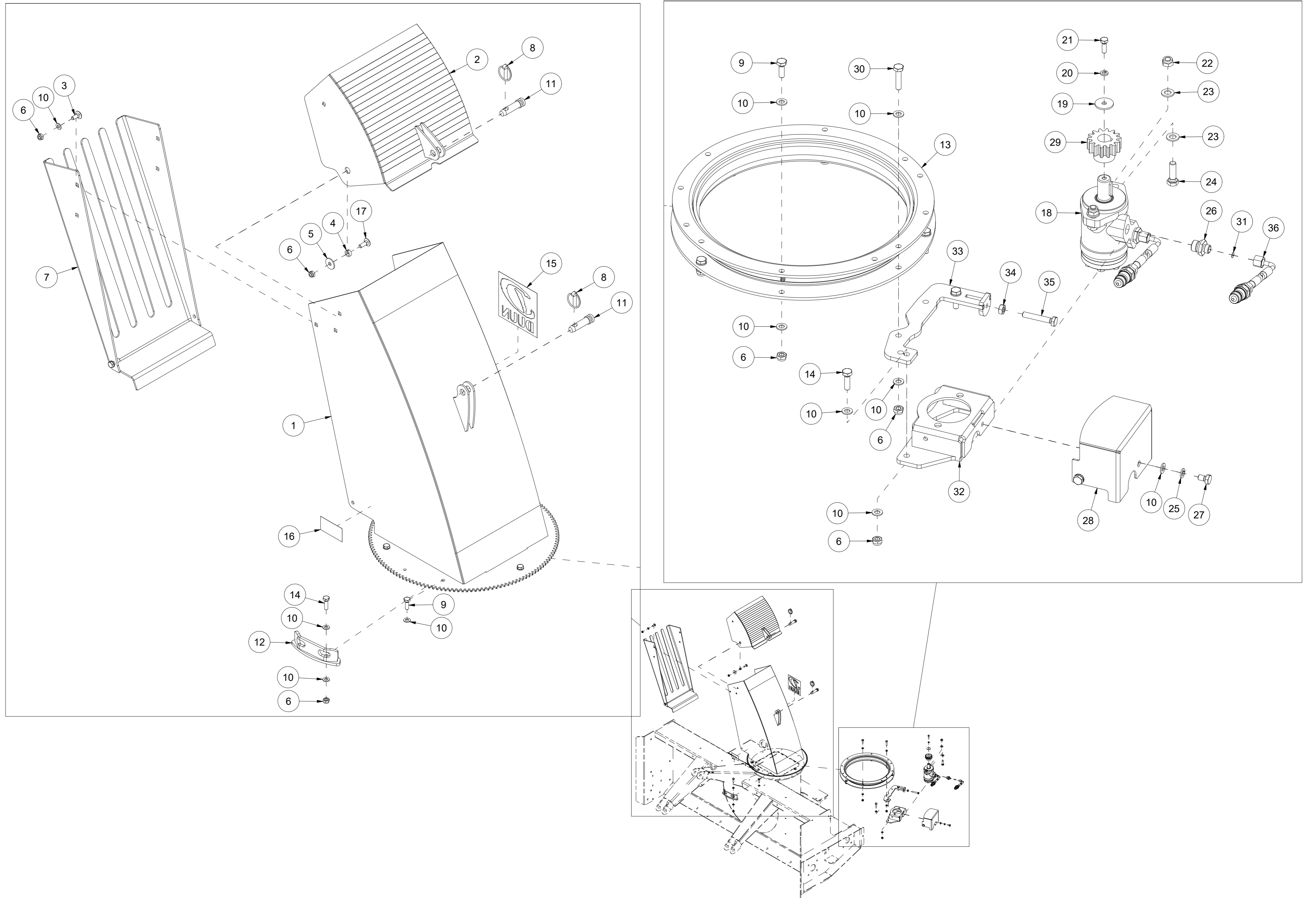
Pos	Qty	Article no	Designation
1	1	25131066	Ejector fan 70 cm
2	1	25221056	Ejector fan shaft TF220
3	1	25221086	Support for front bearing
4	1	2954206	Leg bearing UCP 210 50mm
5	1	25221081	Chain wheel 1" Z17 Ø40
6	1	2115160	Cotter 12x8 L45 St DIN 6885A
7	1	25131040	Washer Ø16/66x6
8	8	2531060	Washer M10 EIZn DIN 125
9	4	2483610	Locking nut M10 EIZn DIN 985
10	12	2531078	Washer M16 EIZn DIN 125
11	2	2422494	Hexagon screw M16x55 EIZn 8.8 DIN 931
12	6	2483613	Locking nut M16 EIZn DIN 985
13	4	2422491	Hexagon screw M16x45 EIZn 8.8 DIN 933
14	4	2531072	Washer M14 EIZn DIN 125
15	4	2534072	Spring washer M14 EIZn DIN 127
16	4	2422398	Hexagon screw M14x40 EIZn 8.8 DIN 933
17	1	2473340	Threaded pin hollow M12x16 St DIN 916
18	1	2534078	Spring washer M16 EIZn DIN 127
19	1	2422485	Hexagon screw M16x30 EIZn 8.8 DIN 933
20	1	2954175	Flange bearing UCF 210 50mm
21	1	25221055	Sleeve Ø51/57x32
22	1	25131058	Shims leg bearing 2 mm
23	1	25131059	Shims leg bearing 3 mm
24	4	2422303	Hexagon screw M10x40 EIZn 8.8 DIN 931

003 Feeding screw TF220



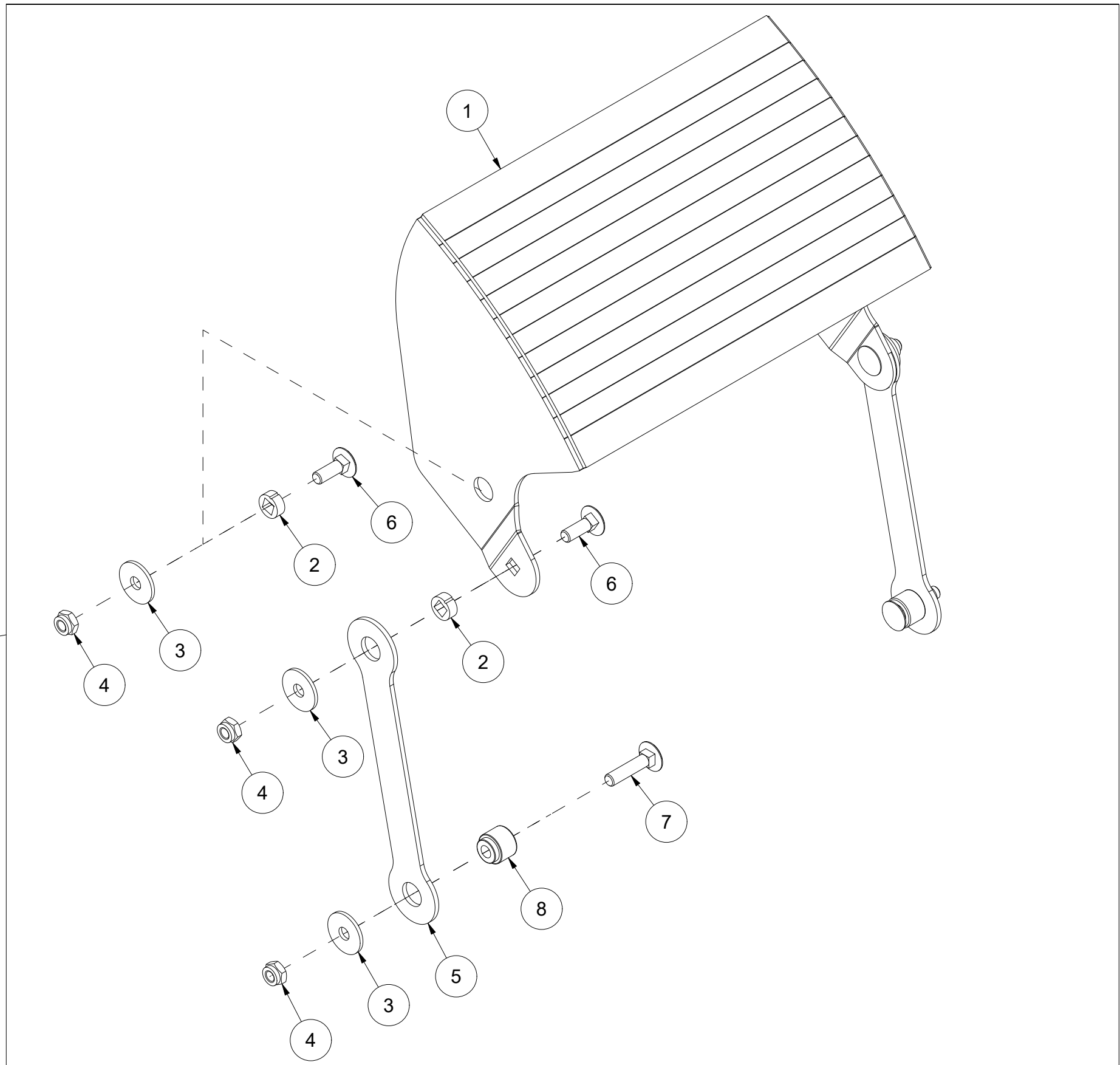
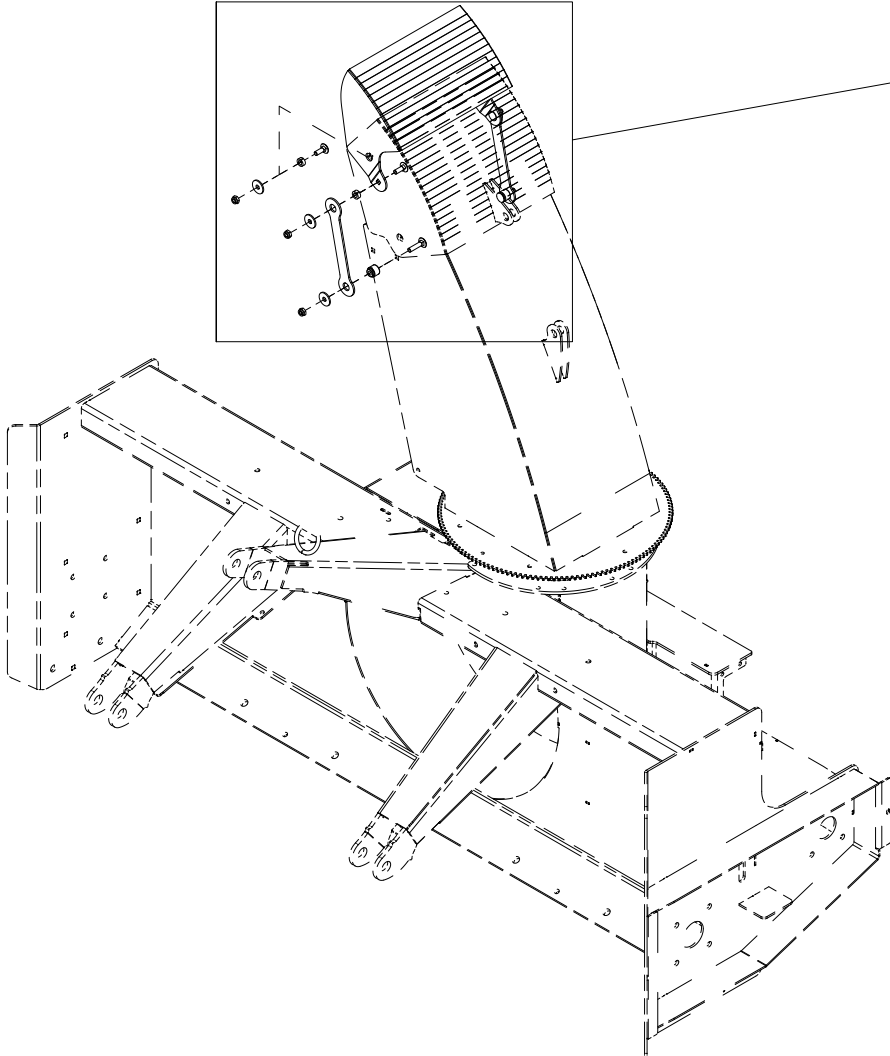
Pos	Qty	Article no	Designation
1	1	25221049	Feeding screw TF220
2	2	2954175	Flange bearing UCF 210 50mm
3	1	25221067	Chain wheel 1" Z26 Ø50
4	1	25221048	Sleeve
5	1	2473340	Threaded pin hollow M12x16 St DIN 916
6	1	25131040	Washer Ø16/66x6
7	16	2531072	Washer M14 EIZn DIN 125
8	8	2422400	Hexagon screw M14x45 EIZn 8.8 DIN 933
9	8	2483612	Locking nut M14 EIZn DIN 985
10	1	2534078	Spring washer M16 EIZn DIN 127
11	1	2422485	Hexagon screw M16x30 EIZn 8.8 DIN 933
12	1	2115174	Cotter 14x9 L50 St DIN 6885B

004 Ejector spout TF220



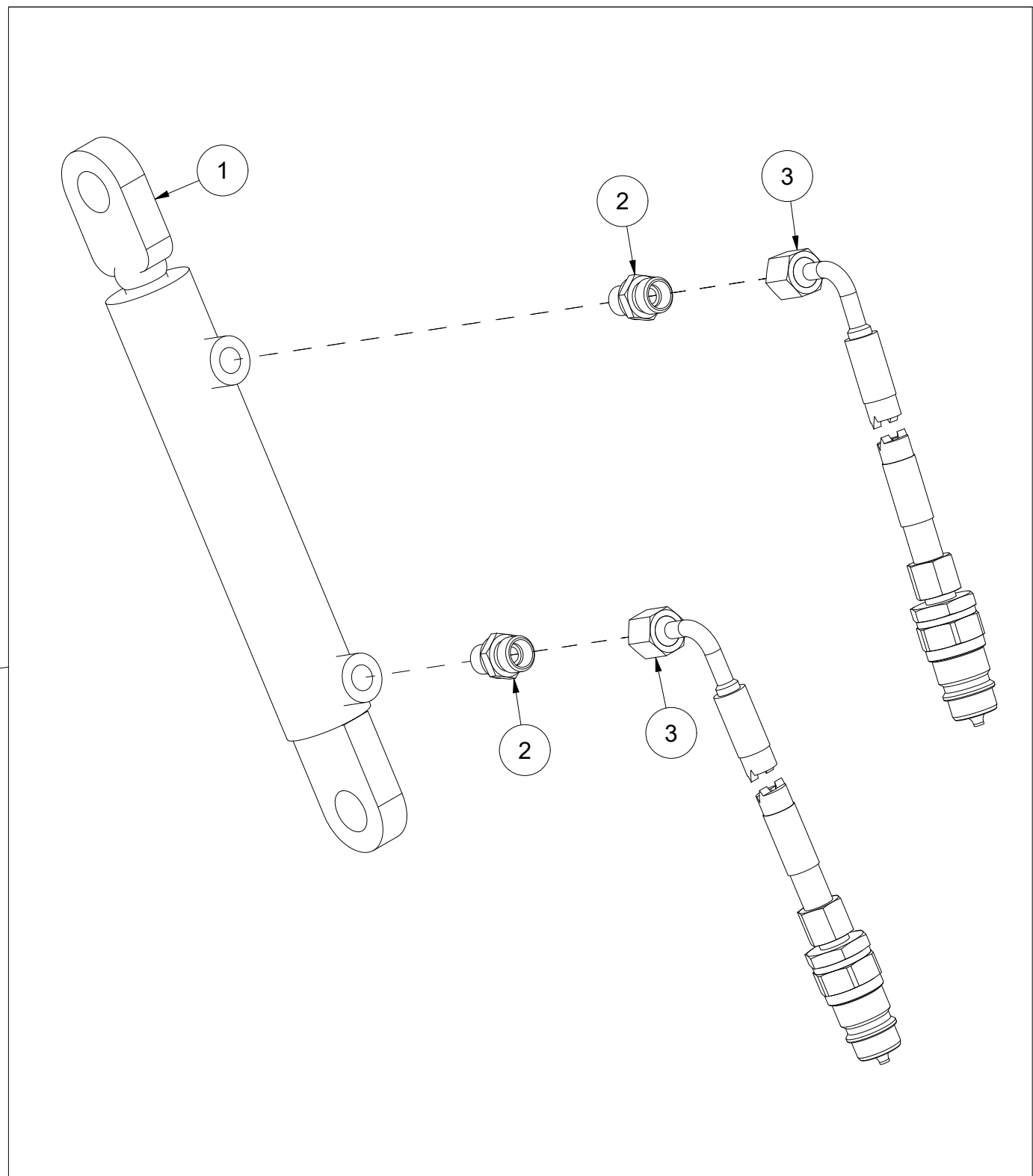
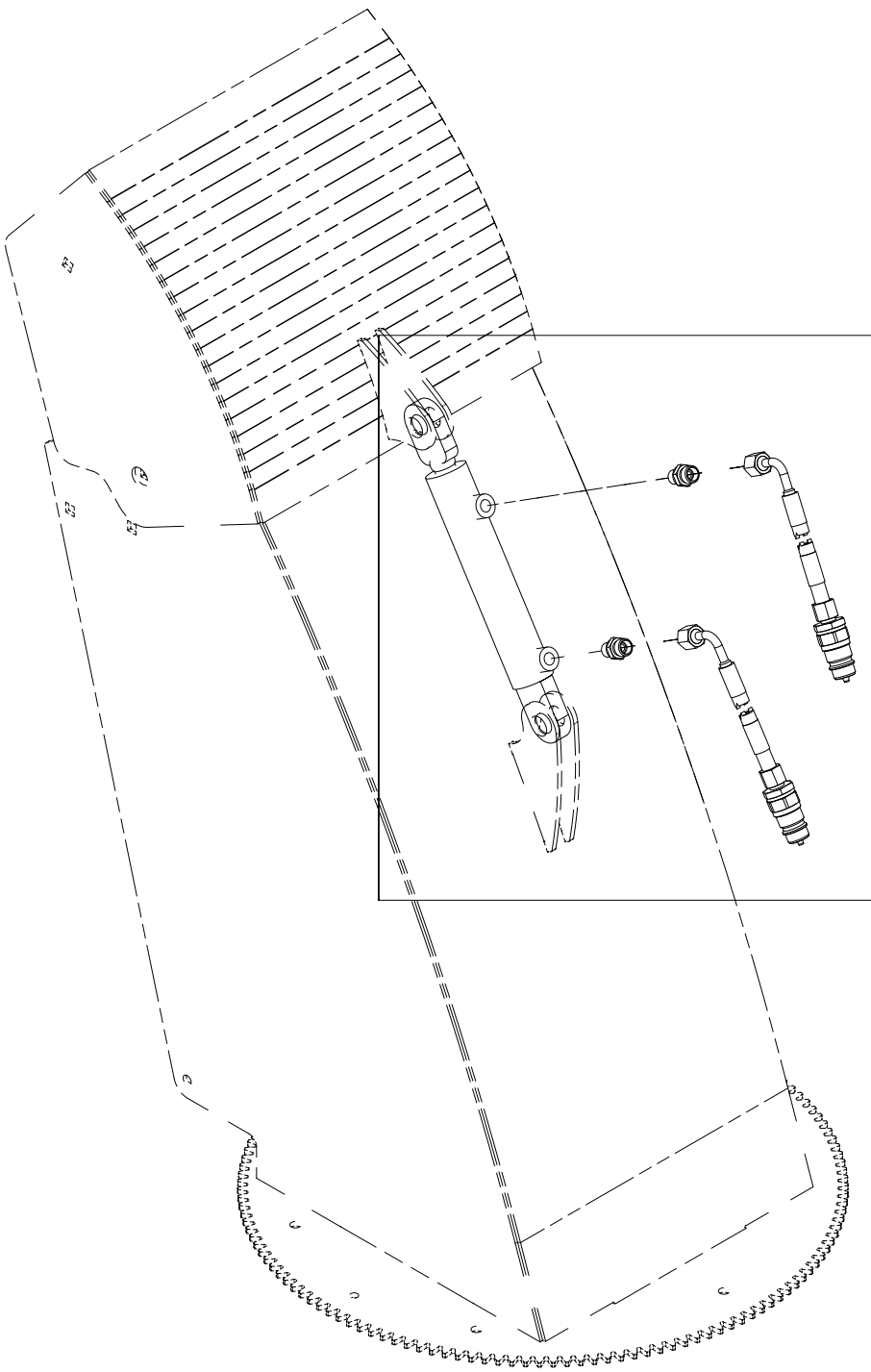
Pos	Qty	Article no	Designation
1	1	25131084	Ejector spout 70 cm
2	1	25131087	Outlet flap 70 cm
3	2	2344330	Locking screw M10x25 EIZn 8.8 DIN 603
4	2	25201039	Bearing washer
5	2	2533065	Body washer ø11/35x3
6	24	2483610	Locking nut M10 EIZn DIN 985
7	1	25131085	Grate for spout
8	2	2556142	Linch pin Ø10x40
9	14	2422299	Hexagon screw M10x30 EIZn 8.8 DIN 933
10	45	2531060	Washer M10 EIZn DIN 125
11	2	25201042	Bolt Ø19,8x45
12	1	25111052	Stop against hull
13	1	25111036	Ball bearing ring Ø500
14	4	2422301	Hexagon screw M10x35 EIZn 8.8 DIN 933
15	1	2935150	Adhesive label Duun 160x160
16	2	2935088	Adhesive label 90x48 Hand pinching hazard
17	2	2344331	Locking screw M10x30 EIZn 8.8 DIN 603
18	1	2955508	Hydraulic motor 50 ccm
19	1	2533058	Body washer ø9/35x3 EIZn
20	1	2534047	Spring washer M8 EIZn DIN 127
21	1	2422246	Hexagon screw M8x25 EIZn 8.8 DIN 933
22	2	2483611	Locking nut M12 EIZn DIN 985
23	4	2531069	Washer M12 EIZn DIN 125
24	2	2422352	Hexagon screw M12x40 EIZn 8.8 DIN 933
25	3	2534060	Spring washer M10 EIZn DIN 127
26	2	2957758	Hexagon nipple GEK BSP 1/2" L10 ED
27	3	2422290	Hexagon screw M10x16 EIZn 8.8 DIN 933
28	1	25311024	Cover
29	1	25311091	Cog wheel Z14 module 4
30	2	2422305	Hexagon screw M10x45 EIZn 8.8 DIN 931
31	2	25321120	Nozzle Ø3/10x1
32	1	25311162	Bracket
33	1	25311161	Fastening
34	1	2481610	Hexagon nut M10 EIZn DIN 934
35	1	2425310	Hexagon screw M10x60 EIZn 8.8 DIN 933
36	1		

005 Top flap TF220



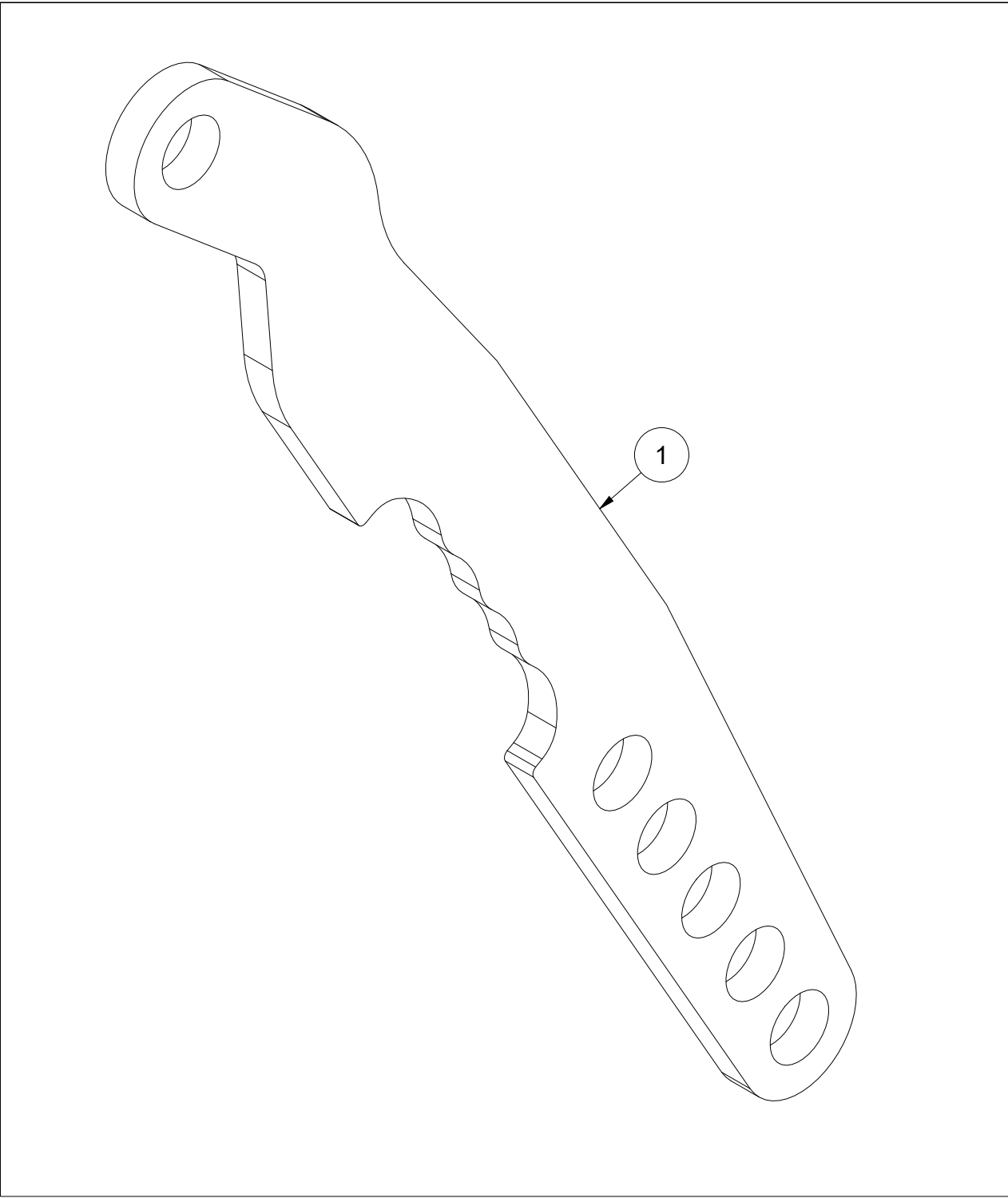
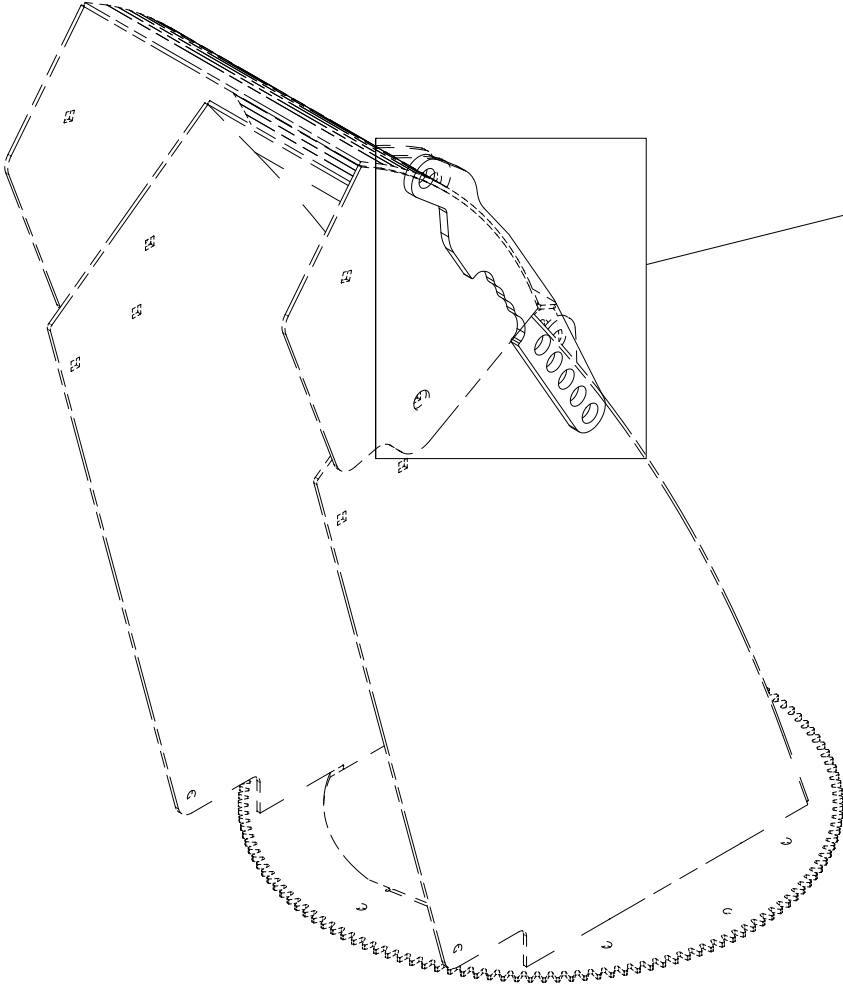
Pos	Qty	Article no	Designation
1	1	25131083	Top flap 70 cm
2	4	25201039	Bearing washer
3	6	2533065	Body washer \varnothing 11/35x3
4	6	2483610	Locking nut M10 EIZn DIN 985
5	2	25201037	Strut for top flap
6	4	2344331	Locking screw M10x30 EIZn 8.8 DIN 603
7	2	2344335	Locking screw M10x45 EIZn 8.8 DIN 603
8	2	25201041	Bearing sleeve on spout

006 Hydraulically operated flaps TF220



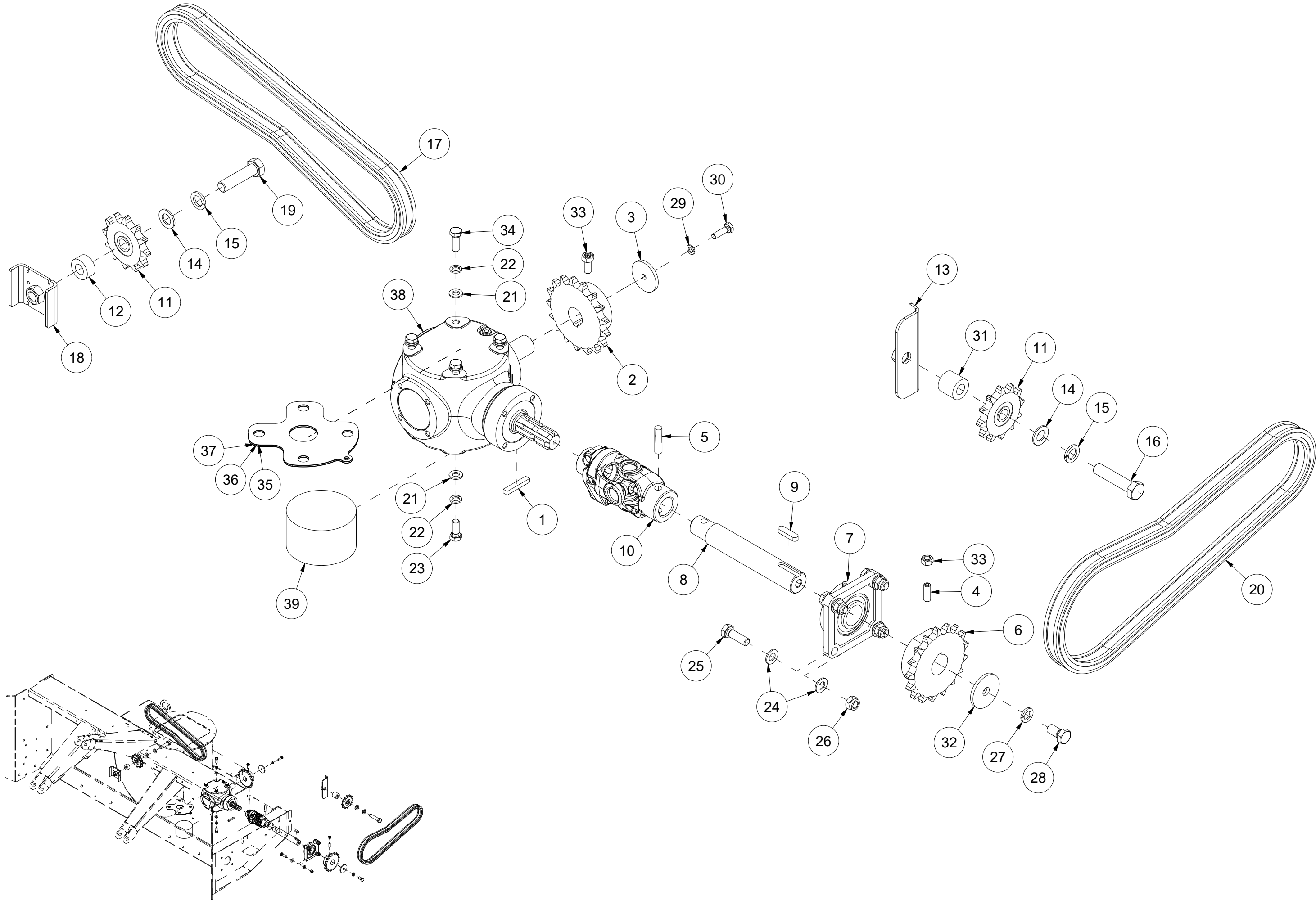
Pos	Qty	Article no	Designation
1	1	2955362	Cylinder 32x20x125 H20H20
2	2	2957754	Hexagon nipple GEK BSP 1/4" L10 ED
3	2	2958150	Hydraulic hose 1/4" L3000

007 Manually operated flaps TF220



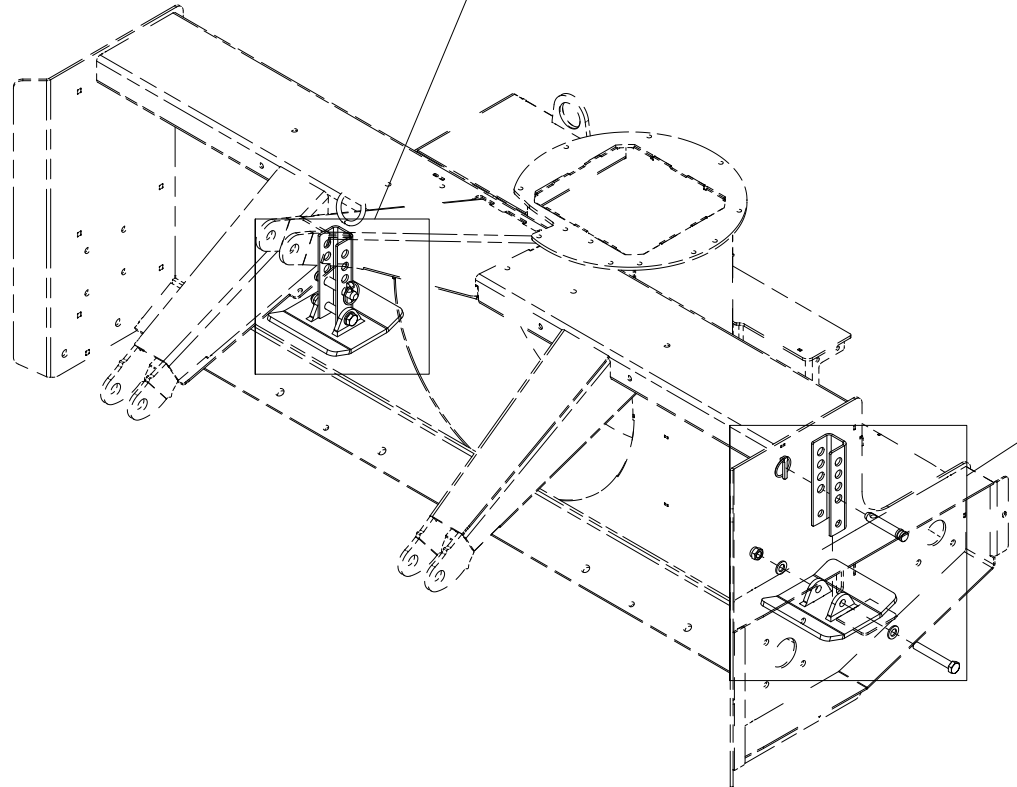
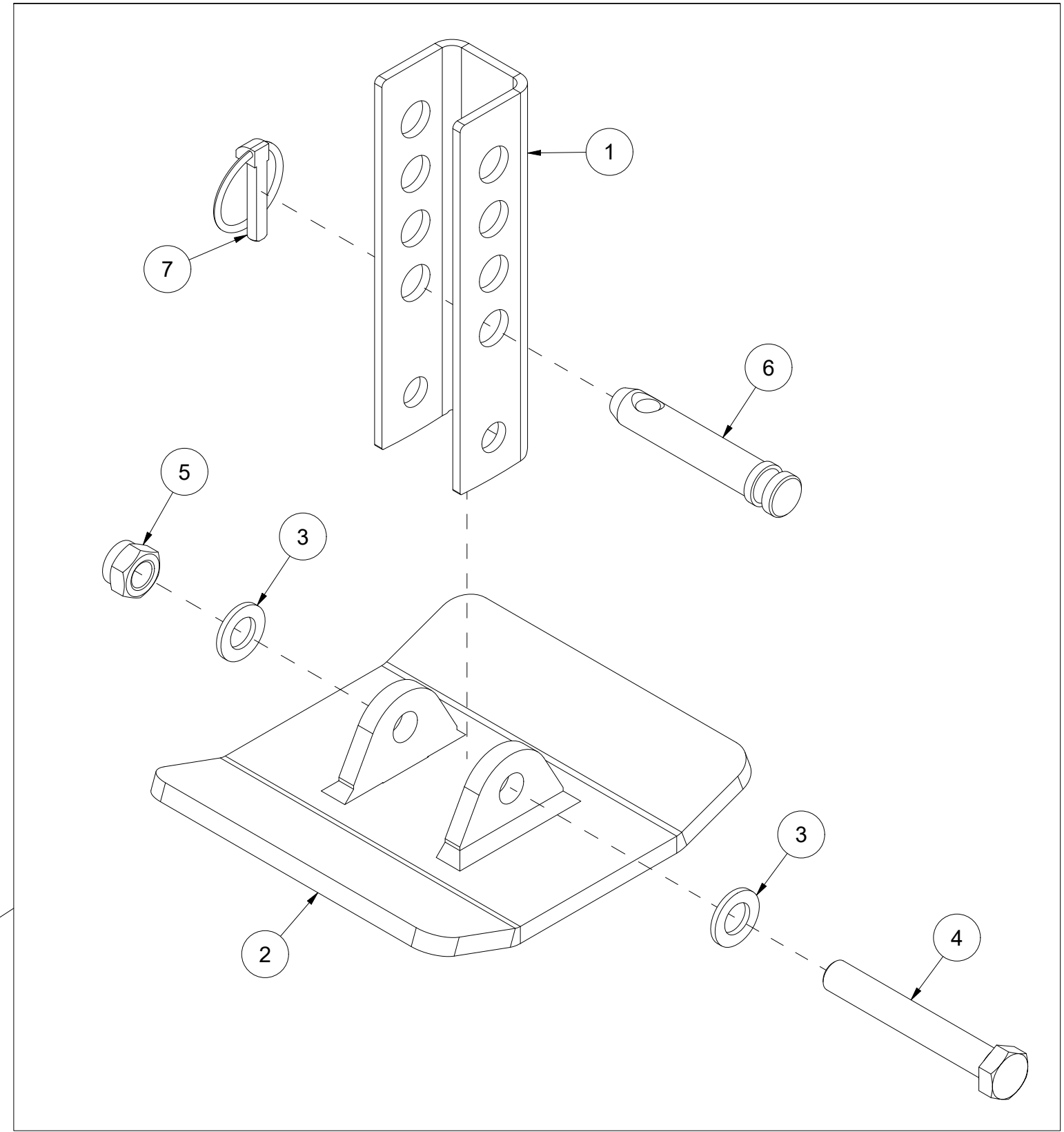
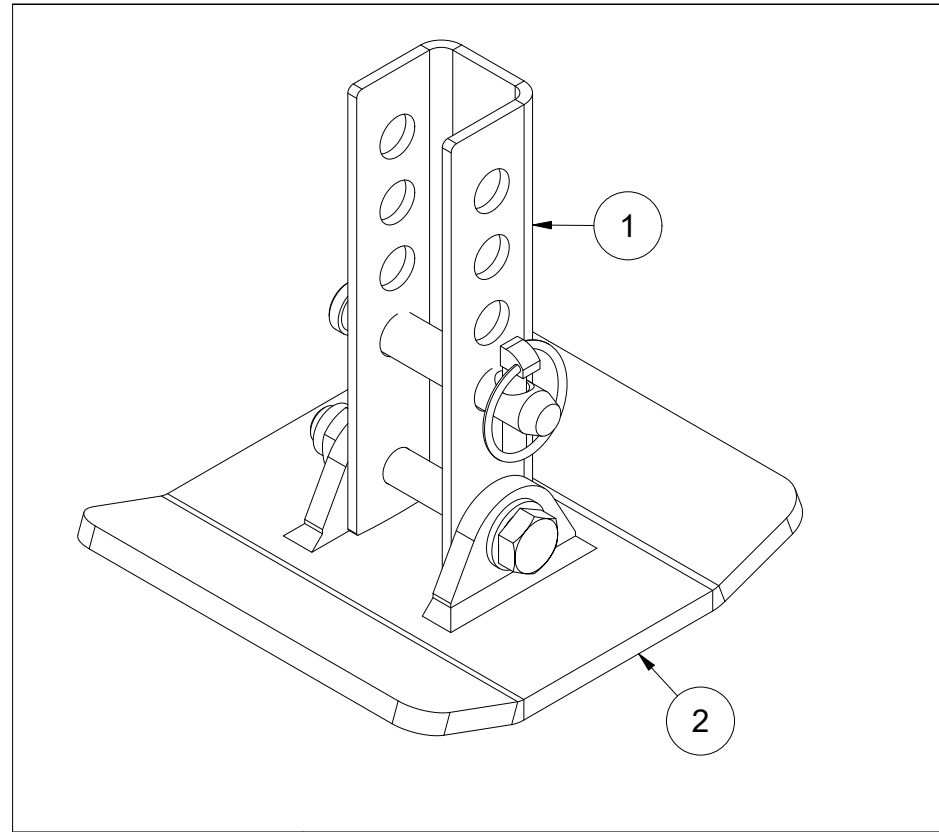
Pos	Qty	Article no	Designation
1	1	25201058	Strut for outlet flap

008 Gearbox and chains TF220



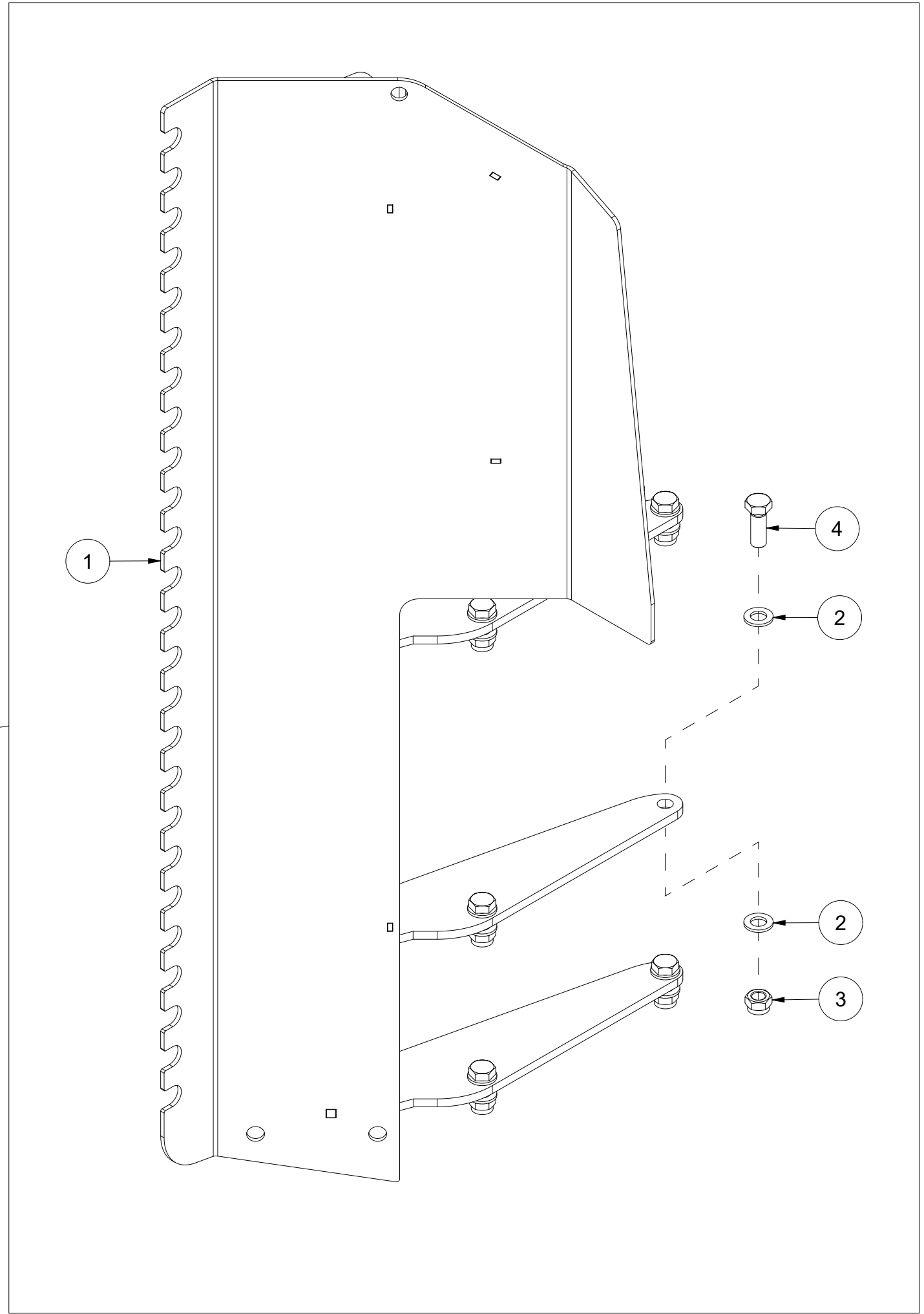
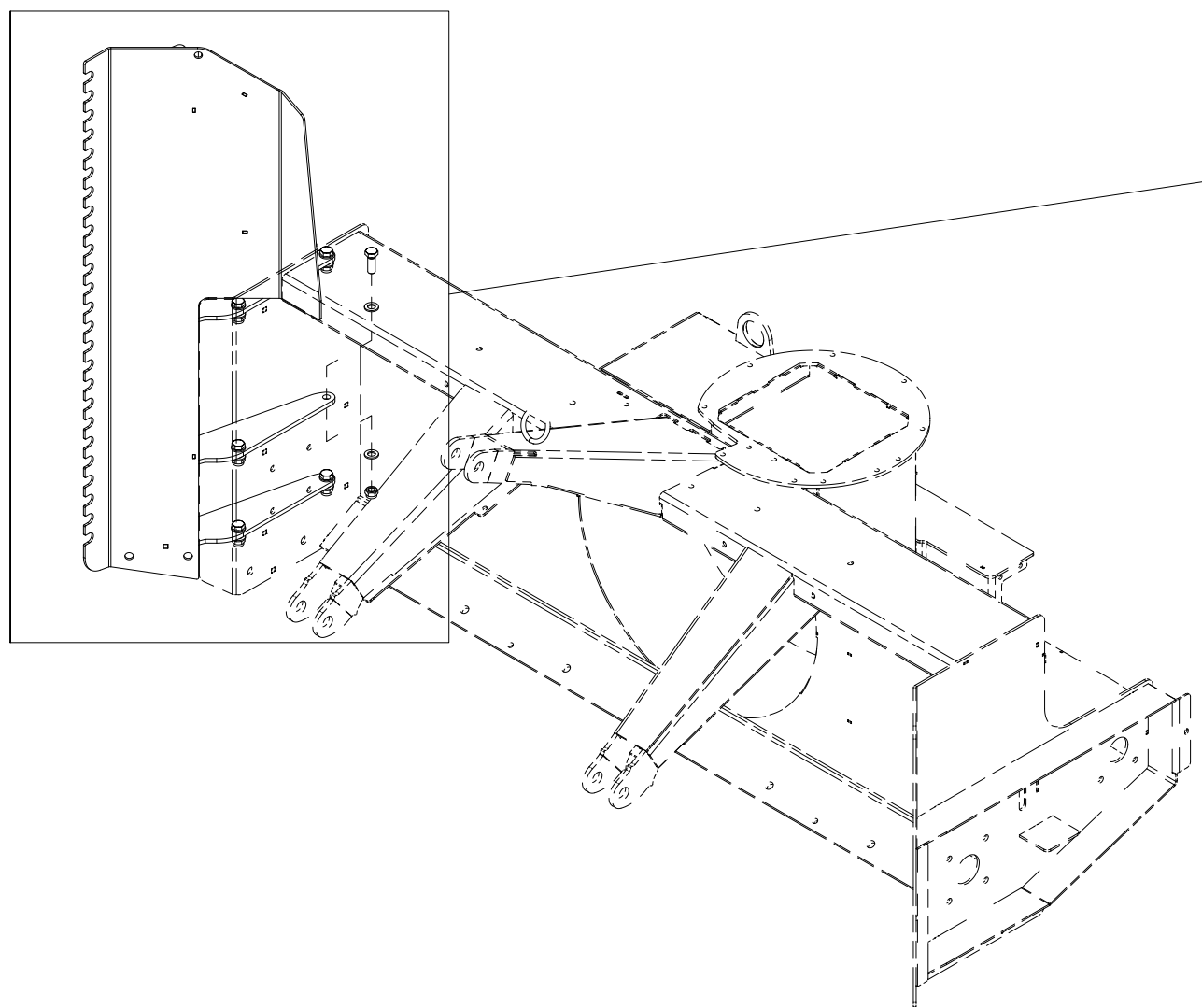
Pos	Qty	Article no	Designation
1	1	2115147	Cotter 10x8 L56 St DIN 6885B
2	1	25221082	Chain wheel 1" Z17 Ø35
3	1	25221053	Washer Ø10/60x6
4	2	2473350	Threaded pin hollow M12x35 St DIN 916
5	1	2527128	Lock pin 13x55 DIN 1474
6	1	25221081	Chain wheel 1" Z17 Ø40
7	1	2954173	Flange bearing UCF 208 40mm
8	1	25221033	Shaft for chain drive
9	1	2115160	Cotter 12x8 L45 St DIN 6885A
10	1	2962193	Joint- Ø35-1 3/8"
11	2	2954120	Chain tensioner wheel 1" 12 t
12	1	25221083	Sleeve
13	1	25221091	Nut plate
14	2	2531086	Washer M20 EIZn DIN 125
15	2	2534086	Spring washer M20 EIZn DIN 127
16	1	2422582	Hexagon screw M20x90 EIZn 8.8 DIN 931
17	1	2963122	Roller chain 1" Simplex 53 links
18	1	25201090	Nut plate
19	1	2422581	Hexagon screw M20x80 EIZn 8.8 DIN 931
20	1	2963121	Roller chain 1" Simplex 57 links
21	8	2531069	Washer M12 EIZn DIN 125
22	8	2534069	Spring washer M12 EIZn DIN 127
23	4	2422348	Hexagon screw M12x30 EIZn 8.8 DIN 933
24	8	2531072	Washer M14 EIZn DIN 125
25	4	2422400	Hexagon screw M14x45 EIZn 8.8 DIN 933
26	4	2483612	Locking nut M14 EIZn DIN 985
27	1	2534078	Spring washer M16 EIZn DIN 127
28	1	2422485	Hexagon screw M16x30 EIZn 8.8 DIN 933
29	1	2534060	Spring washer M10 EIZn DIN 127
30	1	2422301	Hexagon screw M10x35 EIZn 8.8 DIN 933
31	1	25221084	Sleeve
32	1	25131040	Washer Ø16/66x6
33	2	2481611	Hexagon nut M12 EIZn DIN 934
34	4	2422350	Hexagon screw M12x35 EIZn 8.8 DIN 933
35	1	25221045	Shims gearbox 4 mm
36	1	25221046	Shims gearbox 3 mm
37	1	25221047	Shims gearbox 2 mm
38	1	2961113	Gearbox 1:1 90°
39	1	25221057	Gear oil

009 Skid pad TF220



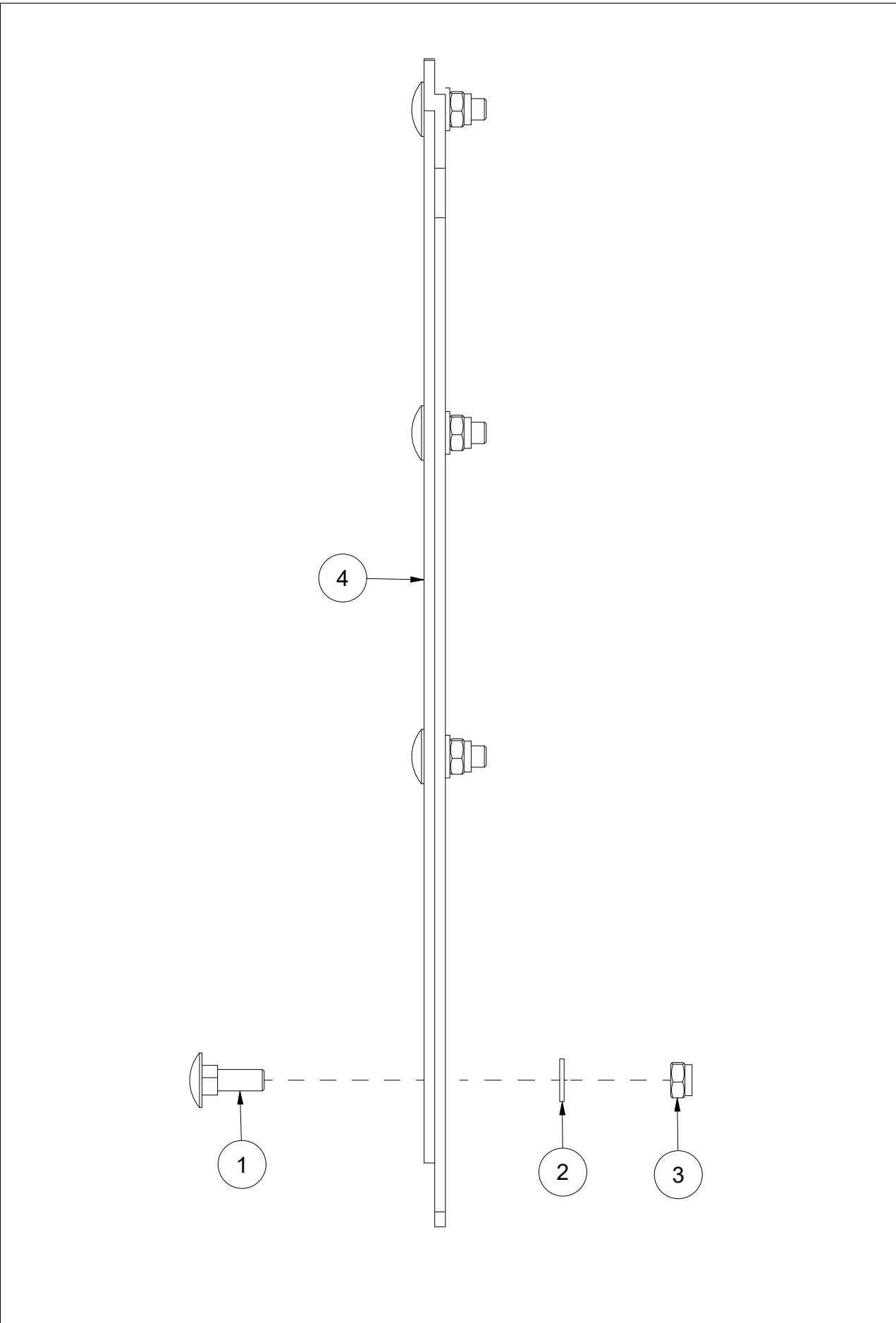
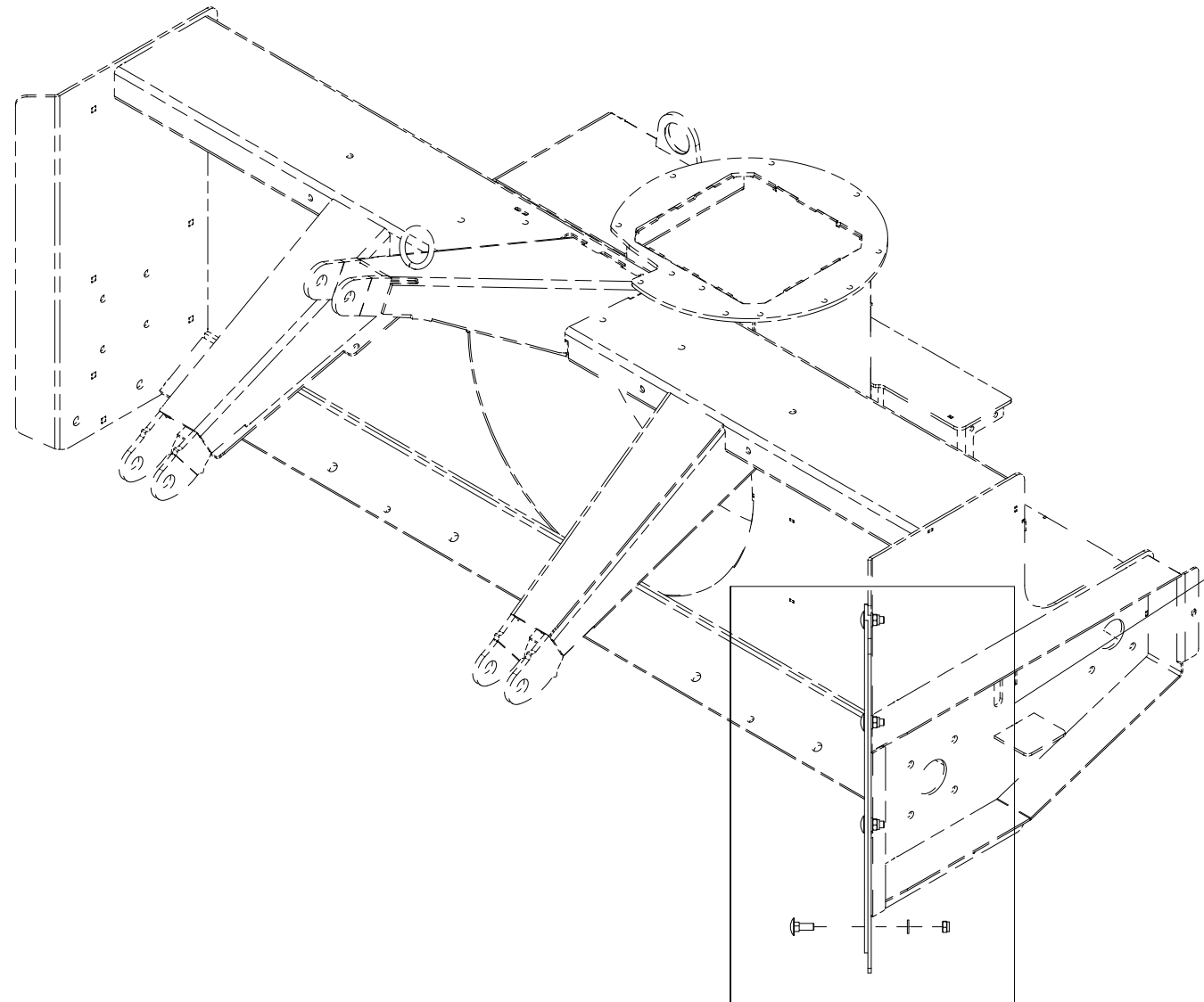
Pos	Qty	Article no	Designation
1	2	25221031	Level rod for skid pads
2	2	25221043	Skid pad
3	4	2531078	Washer M16 EIZn DIN 125
4	2	2422503	Hexagon screw M16x110 EIZn 8.8 DIN 931
5	2	2483613	Locking nut M16 EIZn DIN 985
6	2	2526321	Top strut bolt cat. 1 Ø19x70
7	2	2556142	Linch pin Ø10x40

010 Right side extension TF220



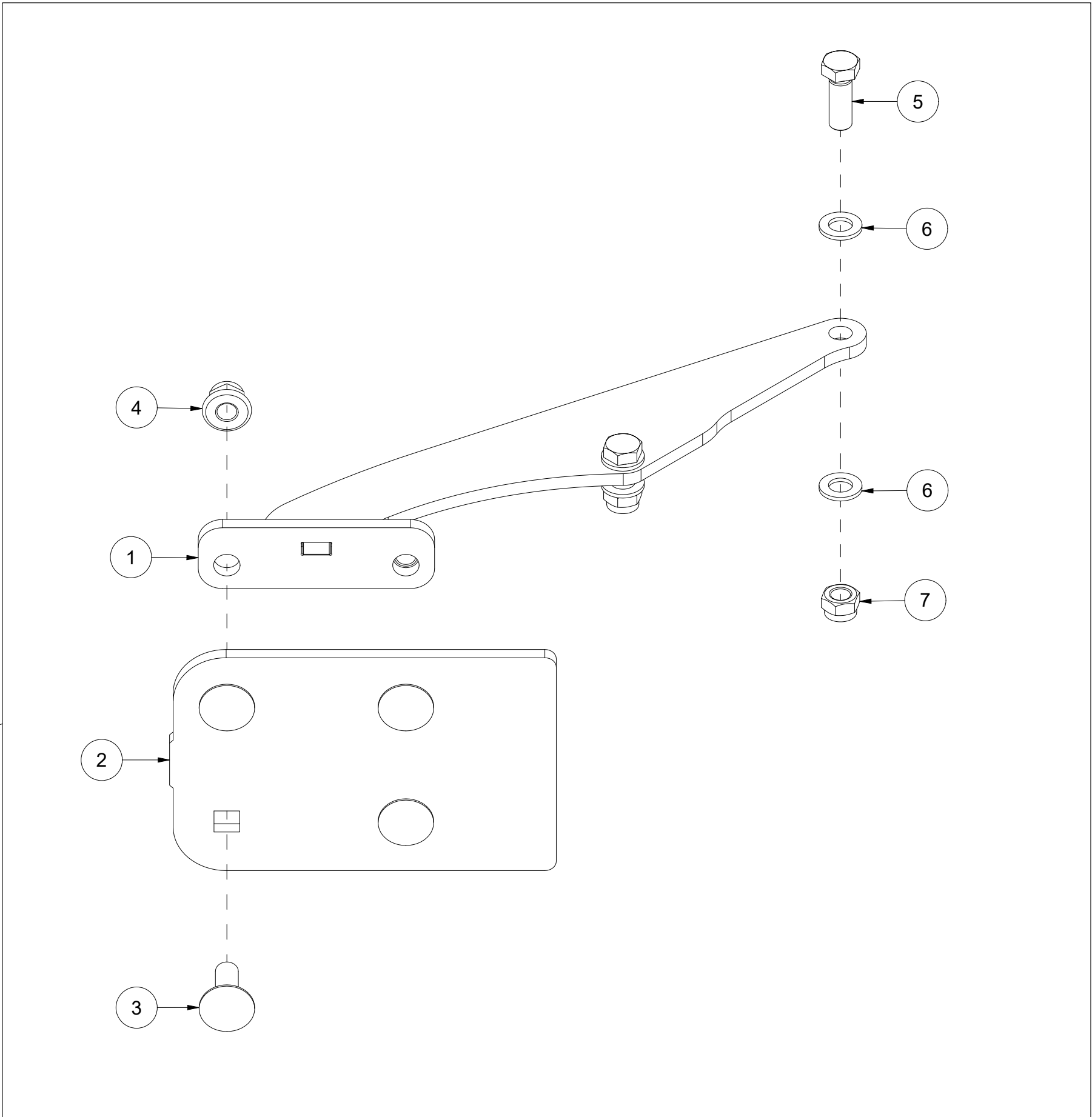
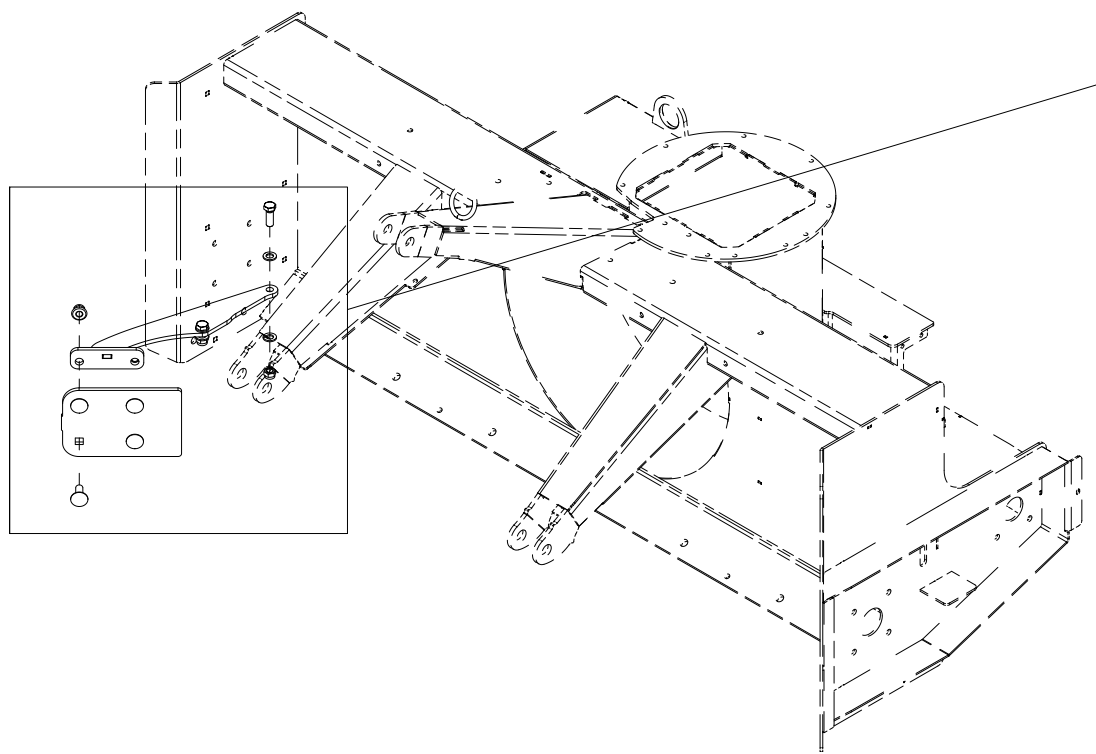
Pos	Qty	Article no	Designation
1	1	25221080	Right side extension
2	12	2531078	Washer M16 ElZn DIN 125
3	6	2483613	Locking nut M16 ElZn DIN 985
4	6	2422491	Hexagon screw M16x45 ElZn 8.8 DIN 933

011 Left side snow collector TF220



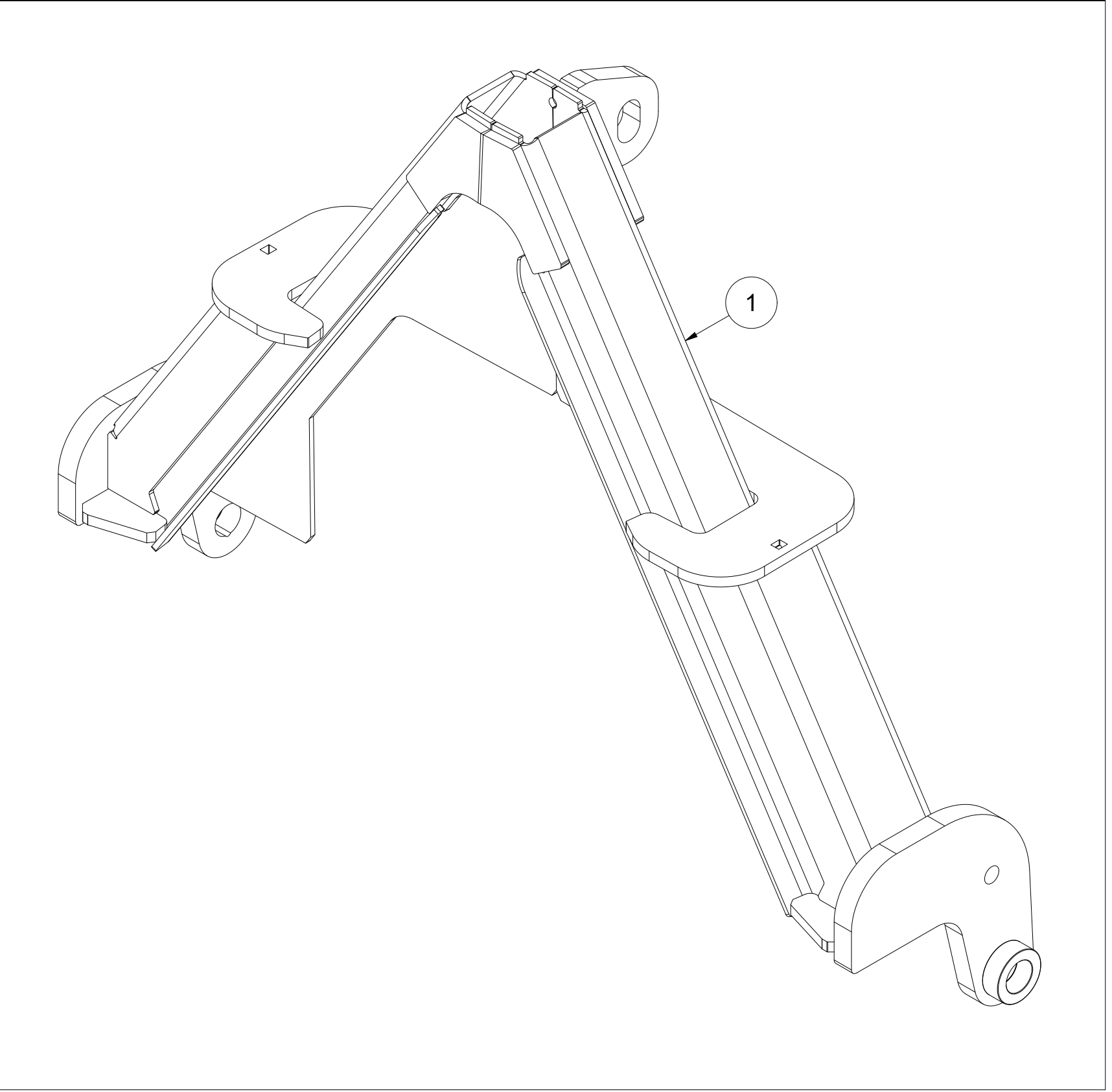
Pos	Qty	Article no	Designation
1	4	2344350	Locking screw M12x35 EIZn 8.8 DIN 603
2	4	2531069	Washer M12 EIZn DIN 125
3	4	2483611	Locking nut M12 EIZn DIN 985
4	1	25221094	Left side snow collector

012 Wear steel side extension TF220



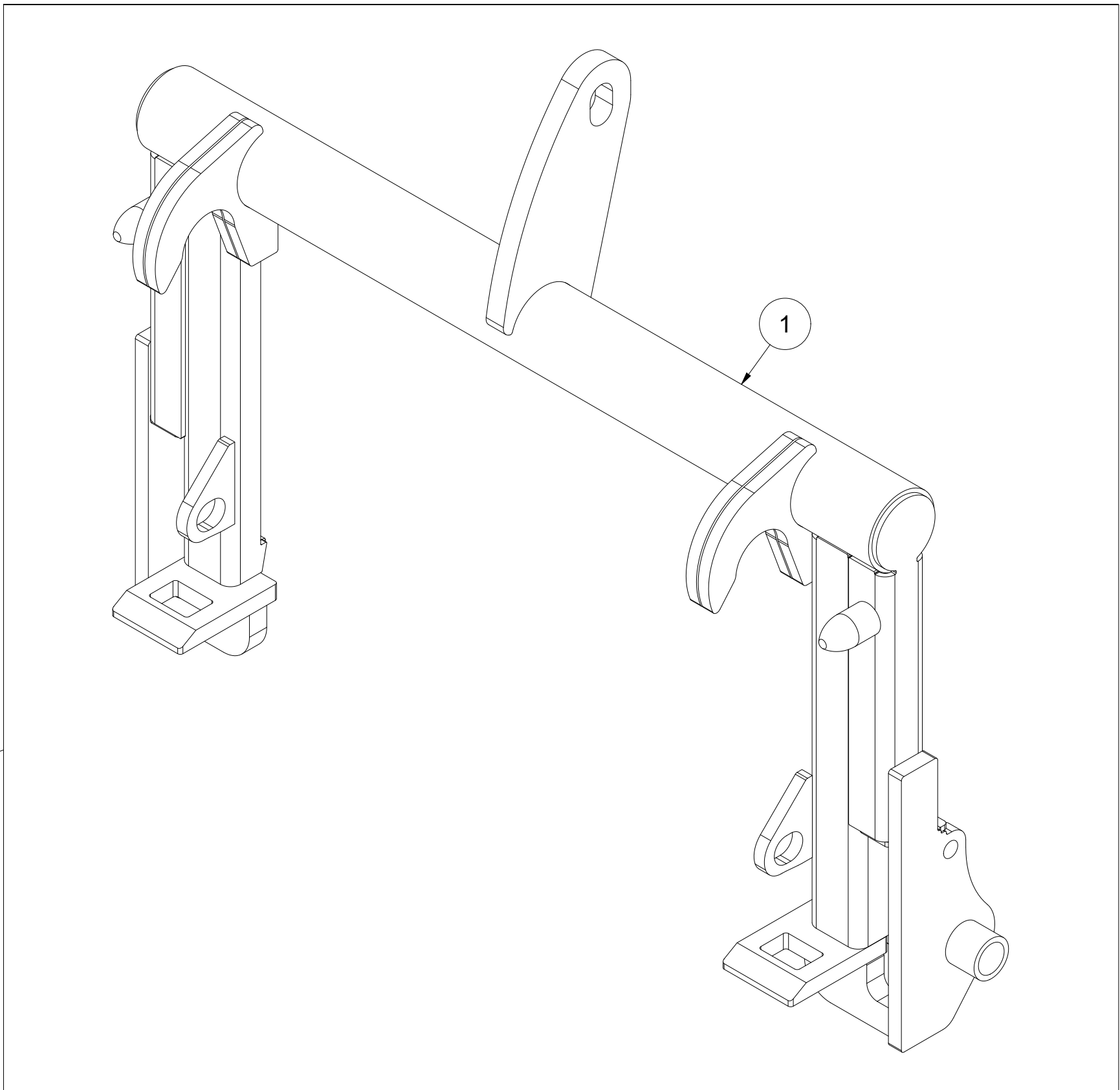
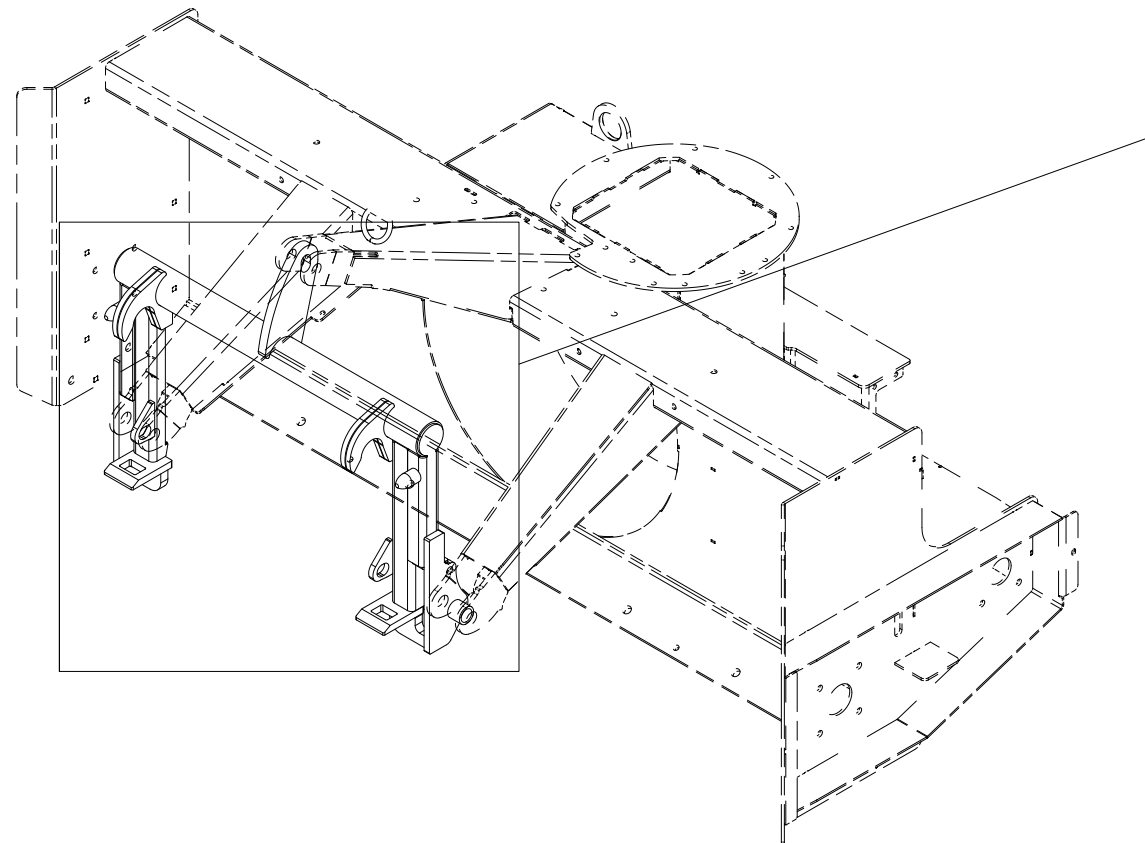
Pos	Qty	Article no	Designation
1	1	25211094	Bracket for wear steel
2	1	25201095	Wear steel on side extension
3	4	2344491	Locking screw M16x45 EIZn 8.8 DIN 603
4	4	2489175	Locking nut with flange M16 EIZn DIN 6926
5	2	2422491	Hexagon screw M16x45 EIZn 8.8 DIN 933
6	4	2531078	Washer M16 EIZn DIN 125
7	2	2483613	Locking nut M16 EIZn DIN 985

013 The quick-hitch triangle TF220



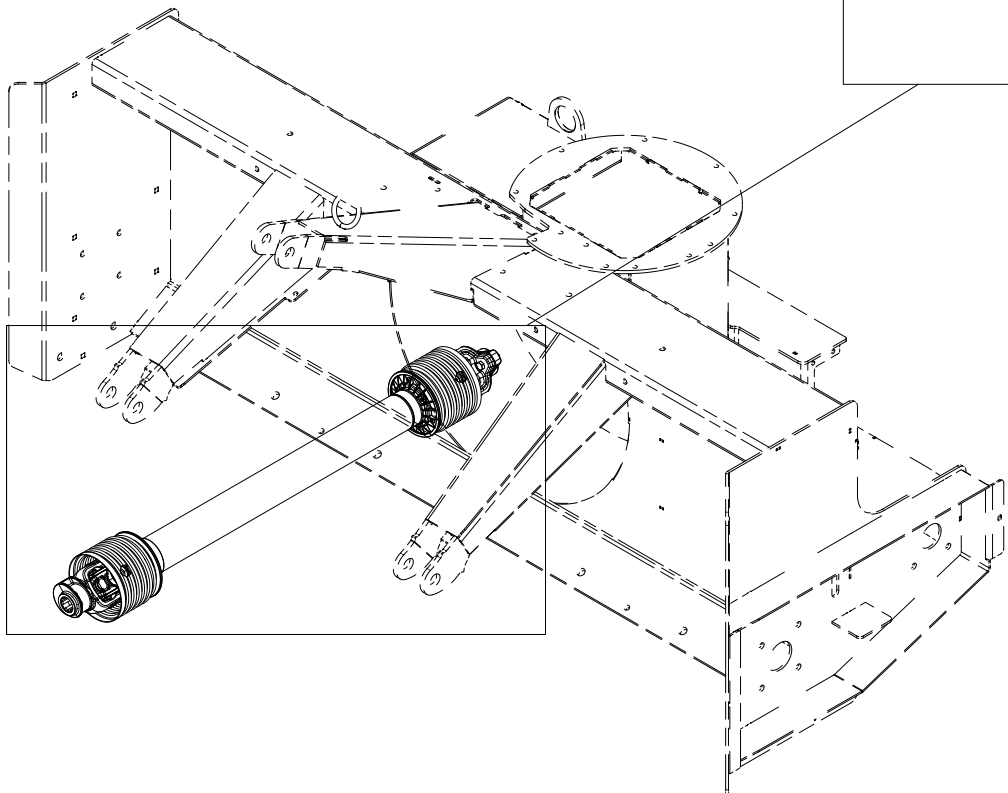
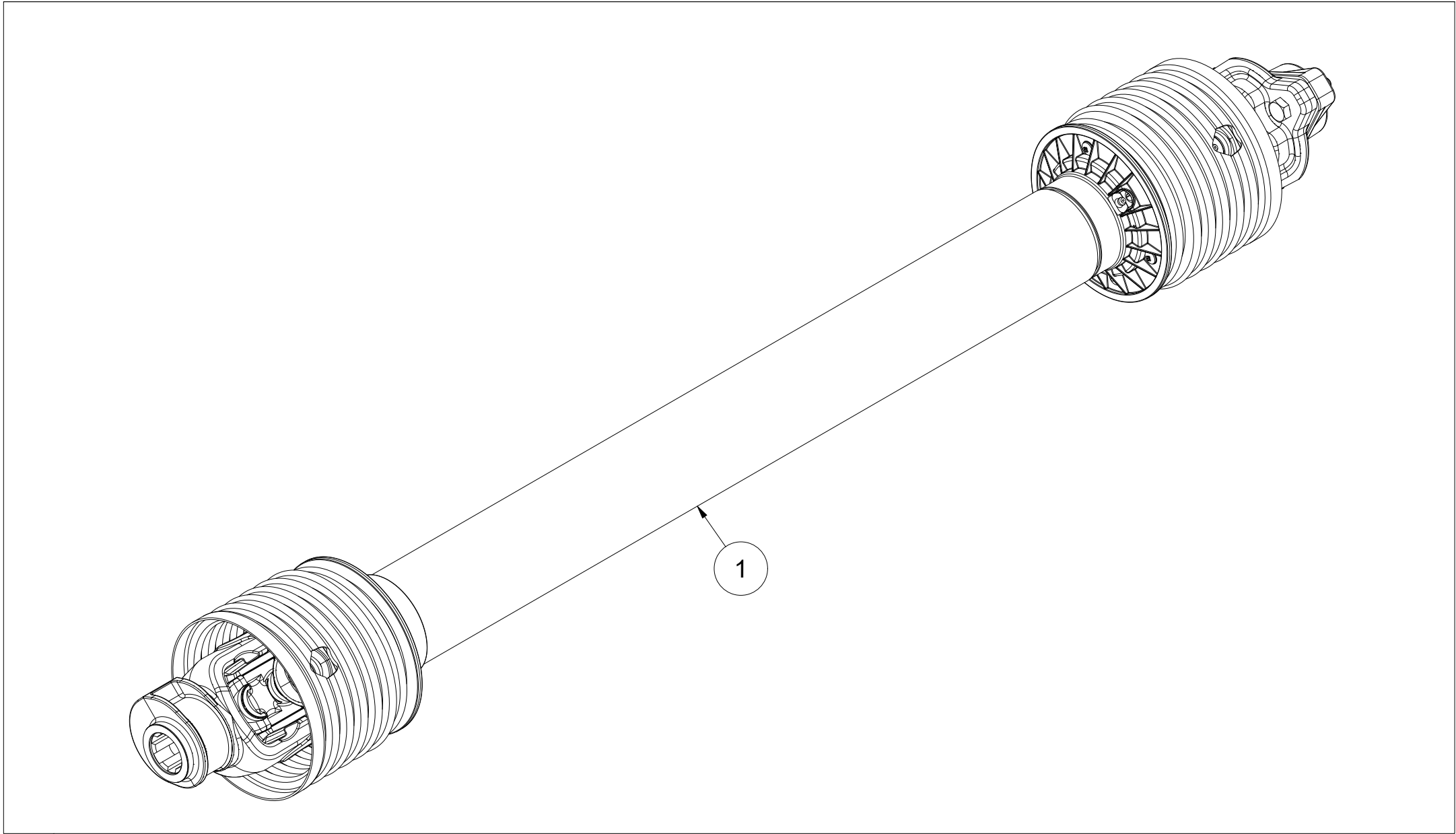
Pos	Qty	Article no	Designation
1	1	26101010	The quick-hitch triangle

014 The quick coupling HMV TF220



Pos	Qty	Article no	Designation
1	1	26101011	The quick coupling HMV

015 Power transmission shaft TF220



Pos	Qty	Article no	Designation
1	1	2962161	Power transmission shaft 3/4" L1010

Pos	Qty	Article no	Designation
1	2	25221102	Spring bracket
2	8	2422350	Hexagon screw M12x35 EIZn 8.8 DIN 933
3	8	2483611	Locking nut M12 EIZn DIN 985
4	16	2531069	Washer M12 EIZn DIN 125
5	2	25201065	Bracket for trigger spring
6	2	2551730	Drawbar bolt cat. 2 Ø28x95
7	2	2556142	Linch pin Ø10x40
8	4	25201073	Tightening screw
9	8	2531078	Washer M16 EIZn DIN 125
10	8	2481613	Hexagon nut M16 EIZn DIN 934
11	4	25211036	Spring for trigger spring